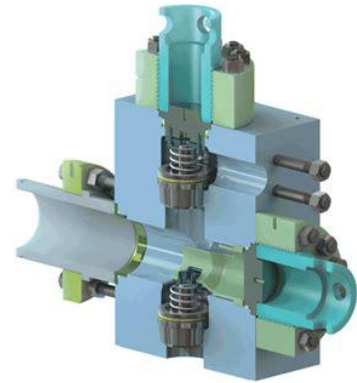




OEM (Valve-Over-Valve) Style Fluid-End

Disadvantages of OEM Style

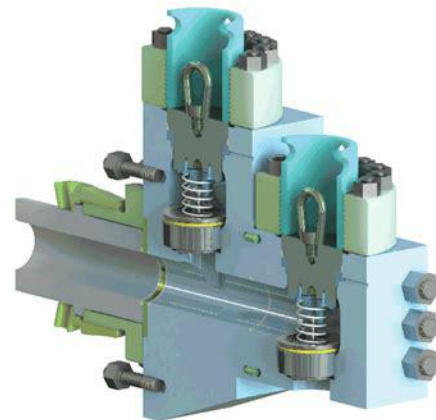
- More expensive to maintain
- When wear occurs, entire fluid-end must be replaced
- Difficult to change valves
- Stress point analysis reveals design is susceptible to cracking
- Must remove lower valve guide to change valve



L Style Fluid-End

Advantages of L-Shaped Fluid-End Module

- Less expensive and easier to maintain
- More metal to support internal pressures
- Designed to run with liner wear plates
- No Lower valve guide needed
- Only module that offers a 4 year warranty against cracking
- Comes with HP Quick-Change Valve Cover assemble



NATIONAL PREMIUM OILWELL

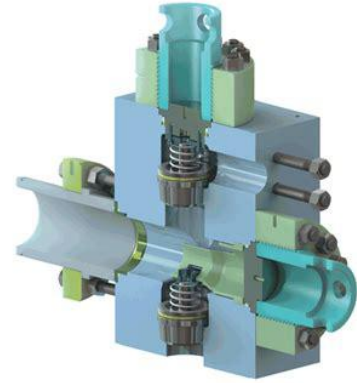




OEM (Valve-Over-Valve) Style Fluid-End

Disadvantages of OEM Style

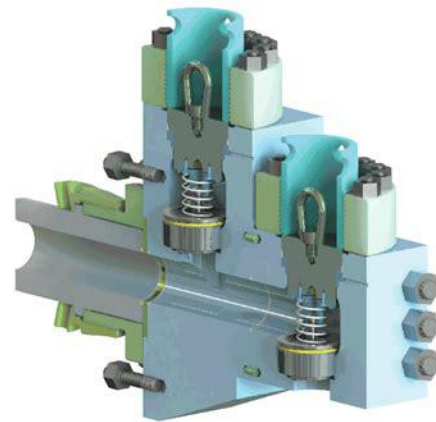
- More expensive to maintain
- When wear occurs, entire fluid-end must be replaced
- Difficult to change valves
- Stress point analysis reveals design is susceptible to cracking
- Must remove lower valve guide to change valve



L Style Fluid-End

Advantages of L-Shaped Fluid-End Module

- Less expensive and easier to maintain
- More metal to support internal pressures
- Designed to run with liner wear plates
- No Lower valve guide needed
- Only module that offers a 4 year warranty against cracking
- Comes with HP Quick-Change Valve Cover assemble



NATIONAL PREMIUM OILWELL





NATIONAL PREMIUM OILWELL

**“At PREMIUM , we care about
the products we supply.”**

MUD PUMP EXPENDABLE PARTS LIST

BOMCO F1600 7500 PSI SWOP

Te:0086-15376875239

E-mail: sales@premiumrigparts.com

Web-site:www.premiumrigparts.com



Premium Rig Parts Mud Pump Parts Line Sheet

Model

- National 10P130
- National 12P160
- National 14P220
- Emsco FB1600
- Emsco FB1300
- Bomco F1600

Model

- Oilwell A1400PT
- Oilwell A1700PT
- Ideco T1600
- FB1600
- FB1300
- Honghua F1600

Model

- Gardner Denver PZ10
- Gardner Denver PZ11
- LEWCO_W-1712
- LEWCO_W-2215
- LEWCO_W-2214
- Weatherford MP-16



NATIONAL PREMIUM OILWELL

www.premiumrigparts.com



MISSION "L" MODULE FOR BOMCO F1600 7500 PSI SWOP VERSION				QTY PER PUMP
FLUID END MODULE & ACCESSORIES				
ITEM #	SW PART #	MISSION PART #	DESCRIPTION	
	8404-25A		FLUID END MODULE COMPLETE ASSEMBLY (INCLUDES ITEMS)	3
1	8404-26		MODULE, SUCTION STUDED (INCLUDES ITEMS 1, 7-8)	3
2	8404-27		MODULE, DISCHARGE STUDED (INCLUDES ITEMS 2-9)	3
3	4019-61		STUD, DISCHARGE TO SUCTION MODULE	18
4	1-3/4-8 HH	6300281	NUT, DISCHARGE TO SUCTION STUD	18
5	4017-33		STUD, POWER END	30
6	1-1/2-8 HH	0-7601-0630-28	NUT, POWER END STUD	30
7	Feb-15	OWA17TRSSW	STUD, THREADED RING	72
8	1-1/4-7 HH	6300200	NUT, THREADED RING STUD	72
9	8488/5/1-	6511416	PIN, DOWELL	6
10	4019-51	7006444	CAPSCREW, LINER RETAINER FLANGE 3/4-10X3	18
11	8490-28		PLATE, LINER WEAR	3
12	2988	1290344	GASKET, WEAR PLATE AND MODULE - RUBBER (SEE DATASHEET FOR ALT MATLS)	6
13	568-443	99609443	O-RING, WEAR PLATE	3
14	6490-25		FLANGE, LINER RETAINER (LINER BUSHING)	3
15	6590-25		NUT, LINER RETAINER	3
16	4690-25A		ASSY, VALVE COVER PLUG (INCLUDES ITEMS 15,16, 20-22)	6
17			PLUG, VALVE COVER	6
18	4488-25		RING, THREADED (THREADED FLANGE)	6
19	4588-25		CAP, THREADED (SCREW GLAND)	6
20	P-115	7207115	SEAL, VALVE COVER PLUG - RUBBER (SEE DATASHEET FOR ALTERNATE MATERIALS)	6
21	4788R-25		ASSEMBLY, VALVE GUIDE (INCLUDES ITEMS 20 & 21)	6
22	47001	*20200004	BUSHING, VALVE GUIDE (BUNA)	6
23	4018-18	700030711	SCREW, VALVE GUIDE	12
24	4018-19	700048511	CAPSCREW, SUCTION MANIFOLD	24
25	568-442	99609442	GASKET, SUCTION MANIFOLD	3
26	8376-25MOD		MANIFOLD, DISCHARGE	1
27	2988	1290344	SEAL, DISCHARGE MANIFOLD	3
28	8590/6/1-		SUCTION MANIFOLD	1

Disclaimer:

National Premium Oilwell, an oilfield supply company is not an authorized distributor or sales agent of the manufacturers listed on this website, but provides parts with equal OEM specification as replacement parts.



Phone:0086-15376875239

E-mail:sales@premiumrigparts.com

www.premiumrigparts.com



NATIONAL PREMIUM OILWELL

**“At PREMIUM , we care about
the products we supply.”**

MUD PUMP EXPENDABLE PARTS LIST

MISSION GD PX-11 2000 HP

Te:0086-15376875239

E-mail: sales@premiumrigparts.com

Web-site:www.premiumrigparts.com



Premium Rig Parts Mud Pump Parts Line Sheet

Model

- National 10P130
- National 12P160
- National 14P220
- Emsco FB1600
- Emsco FB1300
- Bomco F1600

Model

- Oilwell A1400PT
- Oilwell A1700PT
- Ideco T1600
- FB1600
- FB1300
- Honghua F1600

Model

- Gardner Denver PZ10
- Gardner Denver PZ11
- LEWCO_W-1712
- LEWCO_W-2215
- LEWCO_W-2214
- Weatherford MP-16



NATIONAL PREMIUM OILWELL

www.premiumrigparts.com



GARDNER DENVER PX-11 2000 HP (7500 PS WORKING PRESSURE)

FLUID END MODULE & ACCESSORIES

ITEM #	OEM PART #	MISSION PART #	DESCRIPTION
1	300PXL2039	80705001	MODULE, STUDED FLUID END (ITEMS 1-6)
2	303PXL110	80705002	STUD, POWER FRAME (BOTTOM POWER FRAME-SHORT) 1 1/4"-7 x 7"
3	301PXL110	80705003	STUD, POWER FRAME (TOP POWER FRAME SHORT) 1 1/4"-7 x1 3/8"-6 X 7"
4	302PXL110	80705004	STUD, POWER FRAME (LONG) 1 1/4"-7 X 11"
5	301PZL110	80705005	STUD, CYL HEAD 7 VALVE COVER THREAD RING; DISCH MANIFOLD, 1 1/4"-7 X 9 1/4"
6	50B36	6300200	NUT, HEX 1 1/4"-7
7	303PZL316		SEAL, WEAR PLATE
8	300PZL483		GUIDE, UPPER VALVE
9	300PXL234		RING, WEAR
10	300PZL205	PZ1011LVGR75	RETAINER, LOWER VALVE GUIDE
11	300PZL316		SEAL, CYL. HEAD & VALVE COVER - RUBBER (SEE DATASHEET FOR ALT. MATERIALS)
12	301PZL147	PZ1011VC75	COVER, VALVE (UPPER)
13	15P27		BOLT, EYE
14	300PZL387	PZ1011FLG75	RING, THREADED*
15	300PZL587	PZ1011CAP75	CAP, THREADED
16	25BE41	7923283	GASKET, SUCTION MANIFOLD
17	655EG10N		SCREW, SUCTION MANIFOLD
18	302PZL316		GASKET, DISCHARGE MANIFOLD
19	300PZL147		COVER, CYLINDER HEAD (LOWER)
20	301PZL071		GUIDE, LOWER VALVE
21	300PZL455	PZ1011LC75	CLAMP, LINER

Disclaimer:

National Premium Oilwell, an oilfield supply company is not an authorized distributor or sales agent of the manufacturers listed on this website, but provides parts with equal OEM specification as replacement parts.



Phone:0086-15376875239

E-mail:sales@premiumrigparts.com

www.premiumrigparts.com



NATIONAL PREMIUM OILWELL

**“At PREMIUM , we care about
the products we supply.”**

MUD PUMP EXPENDABLE PARTS LIST

GARDNER DENVER PZL W 7500 PSI

Te:0086-15376875239

E-mail: sales@premiumrigparts.com

Web-site:www.premiumrigparts.com



Premium Rig Parts Mud Pump Parts Line Sheet

Model

- National 10P130
- National 12P160
- National 14P220
- Emsco FB1600
- Emsco FB1300
- Bomco F1600

Model

- Oilwell A1400PT
- Oilwell A1700PT
- Ideco T1600
- FB1600
- FB1300
- Honghua F1600

Model

- Gardner Denver PZ10
- Gardner Denver PZ11
- LEWCO_W-1712
- LEWCO_W-2215
- LEWCO_W-2214
- Weatherford MP-16



NATIONAL PREMIUM OILWELL

www.premiumrigparts.com



MISSION "L" MODULE FOR GARDNER DENVER PZL W/ 7500 PSI SWFE FLUID END MODULE & ACCESSORIES				QTY PER PUMP
ITEM #	SW PART #	MISSION PART	DESCRIPTION	
1	8477-27		DISCHARGE MODULE, STUDED	3
2	8477-26		SUCTION MODULE,STUDED	3
3	4019-44		STUD, DISCHARGE TO SUCTION MODULE	18
4	1-3/4-8 HH		NUT, DISCHARGE TO SUCTION STUD	18
5	8488/5/1-	6511416	DOWELL PIN	3
6	8477-30		LINER WEAR PLATE	3
7	2988	1290344	WEAR PLATE AND MOD GASKET - RUBBER (SEE DATASHEET FOR ALT MATLS)	6
8	4019-46		STUD, POWER END	24
9	1-1/4-8 HH		NUT, POWER END STUD	24
10	4019-45		STUD, LINER RETAINER	24
11	1-1/4-7 HH		NUT, LINER RETAINER STUD	24
12	6477-25		LINER RETAINER FLANGE	3
13	6577-25		LINER RETAINER NUT	3
14	8477-29		RING. ALIGNMENT	3
15	4015/2/1-	OWA17TRSS W	STUD, THREADED RING	72
16	1-1/4-7 HH	6300200	NUT, THREADED RING STUD	72
17	4488-25		FLANGE, VALVE COVER	6
18	4588-25		THREADED CAP (SCREW GLAND)	6
19	4688-25		VALVE COVER ASSEMBLY (INCLUDES ITEM #'S 21,23 & 25)	6
20			VALVE COVER (PLUG)	6
21	P-115	7207115	VALVE COVER PLUG SEAL - RUBBER (SEE DATASHEET FOR ALTERNATE MATERIALS)	6
22	4788-25R		VALVE GUIDE (INCLUDES BUSHING)	6
23	4700-I	PZ789VGI*	BUSHING, VALVE GUIDE	6
24	4018-18	700030511	VALVE GUIDE SCREW	12
25	4017-77	700044111	SUCTION MANIFOLD CAPSCREW W/LOCKWASHER	24
26	8577-25		SUCTION MANIFOLD	1
27	AJO-245		SUCTION MANIFOLD SEAL	3
28	8377-27		DISCHARGE MANIFOLD (FOR SERIAL # 9223 AND ABOVE)	1
29	8377-25		DISCHARGE MANIFOLD (SERIAL # 9222 AND BELOW TO NOT RELOCATE DISC PIPING)	
30	4019-45		STUD, DISCHARGE MANIFOLD	12
31	1-1/4 -7 HH		NUT, DISCHARGE MANIFOLD STUD	12

Disclaimer: National Premium Oilwell, an oilfield supply company is not an authorized distributor or sales agent of the manufacturers listed on this website, but provides parts with equal OEM specification as replacement parts.



Phone:0086-15376875239

E-mail:sales@premiumrigparts.com

www.premiumrigparts.com



NATIONAL PREMIUM OILWELL

**“At PREMIUM , we care about
the products we supply.”**

MUD PUMP EXPENDABLE PARTS LIST

MISSION GD PZL-B 1600 HP

Te:0086-15376875239

E-mail: sales@premiumrigparts.com

Web-site:www.premiumrigparts.com



Premium Rig Parts Mud Pump Parts Line Sheet

Model

- National 10P130
- National 12P160
- National 14P220
- Emsco FB1600
- Emsco FB1300
- Bomco F1600

Model

- Oilwell A1400PT
- Oilwell A1700PT
- Ideco T1600
- FB1600
- FB1300
- Honghua F1600

Model

- Gardner Denver PZ10
- Gardner Denver PZ11
- LEWCO_W-1712
- LEWCO_W-2215
- LEWCO_W-2214
- Weatherford MP-16



NATIONAL PREMIUM OILWELL

www.premiumrigparts.com



GARDNER DENVER PZL-B 1600 HP (7500 PSI WORKING PRESSURE)

FLUID END MODULE & ACCESSORIES

ITEM #	OEM PART #	MISSION PART #	DESCRIPTION
1	300PZL2039	FEMPZ101175	MODULE, STUDED FLUID END (INCLUDES ITEMS 1-9)
2	302PZL110	PZ1011LCS75	STUD, LINER CLAMP
3	50B36	0-7601-0630-24	NUT, LINER CLAMP STUD (2 PER STUD)
4	300PZL110	PZ1011PFS75WP	STUD, POWER FRAME (WEAR RING)
5	50B36	0-7601-0630-24	NUT, POWER FRAME STUD
6	303PZL110	PZ1011LPFS75	STUD, POWER FRAME (WEAR RING)
7	50B36	0-7601-0630-24	NUT, POWER FRAME STUD
8	301PZL110	PZ1011TRS75	STUD, THREADED RING & DISCHARGE MANIFOLD
9	50B36	0-7601-0630-24	NUT, THREADED RING & DISCHARGE MANIFOLD STUD
10	303PZL316		SEAL, WEAR RING (WEAR PLATE)
11	300PZL483		GUIDE, VALVE (UPPER)
12	300PZL234		RING, WEAR (WEAR PLATE)
13	300PZL205	PZ1011LVGR75	RETAINER, VALVE GUIDE
14	300PZL316		SEAL, CYL. HEAD & VALVE COVER - RUBBER
15	301PZL147	PZ1011VC75	COVER, VALVE (UPPER)
16	15P27		BOLT, EYE
17	300PZL387		RING, THREADED
18	300PZL587	PZ1011CAP75	CAP, THREADED
19	25BE41	7923283	GASKET, SUCTION MANIFOLD
20	655EG10N	700044111	SCREW, SUCTION MANIFOLD
21	302PZL316		GASKET, DISCHARGE MANIFOLD
22	300PZL229		BUSHING
23	300PZL147		COVER, CYLINDER HEAD (LOWER)
24	301PZL483		GUIDE, VALVE (LOWER)
25	300PZL455	PZ1011LC75	CLAMP, LINER

Disclaimer:

National Premium Oilwell, an oilfield supply company is not an authorized distributor or sales agent of the manufacturers listed on this website, but provides parts with equal OEM specification as replacement parts.



Phone:0086-15376875239

E-mail:sales@premiumrigparts.com

www.premiumrigparts.com



NATIONAL PREMIUM OILWELL

**“At PREMIUM , we care about
the products we supply.”**

MUD PUMP EXPENDABLE PARTS LIST

MISSION IDECO T1600 7500 PSI

Te:0086-15376875239

E-mail: sales@premiumrigparts.com

Web-site:www.premiumrigparts.com



Premium Rig Parts Mud Pump Parts Line Sheet

Model

- National 10P130
- National 12P160
- National 14P220
- Emsco FB1600
- Emsco FB1300
- Bomco F1600

Model

- Oilwell A1400PT
- Oilwell A1700PT
- Ideco T1600
- FB1600
- FB1300
- Honghua F1600

Model

- Gardner Denver PZ10
- Gardner Denver PZ11
- LEWCO_W-1712
- LEWCO_W-2215
- LEWCO_W-2214
- Weatherford MP-16



NATIONAL PREMIUM OILWELL

www.premiumrigparts.com



MISSION "L" MODULE FOR IDECO T1600 7500 PSI WORKING PRESSURE			QTY PER PUMP
FLUID END MODULE & ACCESSORIES			
ITEM #	MISSION PART #	DESCRIPTION	
	80711030	COMPLETE ASSEMBLY	1
1	80711030	DISCHARGE MODULE, STUDED	3
2	80711030	SUCTION MODULE,STUDED	3
3	80702002	STUD, DISCHARGE TO SUCTION MODULE	24
4	75510327	NUT, DISCHARGE TO SUCTION STUD	24
5	80702003	FLANGE, THREADED VALVE COVER	6
6	80702004	THREADED CAP (SCREW GLAND)	6
7	80702005	VALVE COVER ASSEMBLY (INCLUDES ITEM #'S 11,12 & 17)	6
8	80711006	DISCHARGE MANIFOLD	1
9	80702011	STUD, DISCHARGE MANIFOLD	12
10	IDT800TRSN	NUT, DISCHARGE MANIFOLD STUD	12
11	80702007	BUSHING, VALVE GUIDE	6
12	80711008	VALVE GUIDE	6
13	9700359	VALVE, COMPLETE WITH INSERT ITEM# 15	6
14	55413371	SPRING, VALVE	6
15	9700365	INSERT, VALVE	6
16	9702547	SEAT, VALVE	6
17	PEP73	SCREW, 1/2 X 1" SOCKET HEAD	12
18	T1316LLNSW	LINER LOCK NUT	3
22	PZ789LCSN	NUT, THREADED RING STUD	72
23	80702009	STUD, THREADED RING	72
24	T1316LRFLGSW	LINER RETAINER FLANGE	3
25	PEP70	DOWELL PIN	6
26	80702010	SEAL, SUCTION TO DISCHARGE MODULE AND LINER WEAR PLATE	6
27	7207129	VALVE COVER PLUG SEAL - RUBBER (SEE DATASHEET FOR ALTERNATE MATERIALS)	6
28	75634382	SUCTION MANIFOLD CAPSCREW W/LOCKWASHER	24
29	99609235	SEAL, DISCHARGE MANIFOLD	3
30	99609447	SEAL, SUCTION MANIFOLD	3
31	T1316PFSSW	STUD, POWER FRAME	12
32	EMSF1000PFSN	NUT, POWER FRAME STUD	12
33	7916782	GASKET, LINER	3

Disclaimer:

National Premium Oilwell, an oilfield supply company is not an authorized distributor or sales agent of the manufacturers listed on this website, but provides parts with equal OEM specification as replacement parts.



Phone:0086-15376875239

E-mail:sales@premiumrigparts.com

www.premiumrigparts.com



NATIONAL PREMIUM OILWELL

**“At PREMIUM , we care about
the products we supply.”**

MUD PUMP EXPENDABLE PARTS LIST

MISSION W2214,2215 NATL 14P220

Te:0086-15376875239

E-mail: sales@premiumrigparts.com

Web-site:www.premiumrigparts.com



Premium Rig Parts Mud Pump Parts Line Sheet

Model

- National 10P130
- National 12P160
- National 14P220
- Emsco FB1600
- Emsco FB1300
- Bomco F1600

Model

- Oilwell A1400PT
- Oilwell A1700PT
- Ideco T1600
- FB1600
- FB1300
- Honghua F1600

Model

- Gardner Denver PZ10
- Gardner Denver PZ11
- LEWCO_W-1712
- LEWCO_W-2215
- LEWCO_W-2214
- Weatherford MP-16



NATIONAL PREMIUM OILWELL

www.premiumrigparts.com



**MISSION "L" MODULE FOR LEWCO W2214, W2215, NATL 14P220 7500 PSI
W/ SWOP FE**

FLUID END MODULE & ACCESSORIES

ITEM #	SW PART #	MISSION PART #	DESCRIPTION
1	8482-27	80732011	MODULE, SUCTION STUDED (INCLUDES ITEMS 1, 7-8)
2	8482-26	80732010	MODULE, DISCHARGE STUDED (INCLUDES ITEMS 2-9)
3	4020/6/1-	80732002	STUD, DISCHARGE TO SUCTION MODULE
4	2"-8 HH	7402422	NUT, DISCHARGE TO SUCTION STUD
5	4020-26	80732004	STUD, POWER END
6	1-1/2-6 HH	6300240	NUT, POWER END STUD
7	4015-54	12PTRSSW	STUD, THREADED RING
8	1-1/2-6 HH	6300240	NUT, THREADED RING STUD
9	8488/5/1-	6511416	PIN, DOWELL
10	4015-52	80732005	STUD, LINER RETAINER FLANGE
11	1-1/4-7 HH	6300200	NUT, LINER RETAINER FLANGE STUD
12	8482/5/1-	80732007	PLATE, LINER WEAR
13	2988	1290344	GASKET, WEAR PLATE AND MODULE - RUBBER (SEE DATASHEET FOR ALT MATLS)
14	6482		FLANGE, LINER RETAINER (LINER BUSHING)
15	6582		NUT, LINER RETAINER
16	4609-25A		ASSY, VALVE COVER PLUG (INCLUDES ITEMS 15,16, 20-22)
17		80732008	PLUG, VALVE COVER
18	4476	12PFLGSW	RING, THREADED (THREADED FLANGE)
19	4597	12PCAPSW	CAP, THREADED (SCREW GLAND)
20	P-119	7207119	SEAL, VALVE COVER PLUG - RUBBER (SEE DATASHEET FOR ALTERNATE MATERIALS)
21	4776R	12PVGASWNS	ASSEMBLY, VALVE GUIDE (INCLUDES ITEMS 20 & 21)
22	4700I	PZ789VGI*	BUSHING, VALVE GUIDE
23	4016-98	50C125KFCYB	SCREW, VALVE GUIDE
24	4018-19	700048511	CAPSCREW, SUCTION MANIFOLD
25	AJO 326	1540021	GASKET, SUCTION MANIFOLD
26	4019-60	80732006	STUD, DISCHARGE MANIFOLD
27	1-1/4-7 HH	6300200	NUT, DISCHARGE MANIFOLD
28	8382-25	80732025	MANIFOLD, DISCHARGE
29	2988	1290344	SEAL, DISCHARGE MANIFOLD

Disclaimer:

National Premium Oilwell, an oilfield supply company is not an authorized distributor or sales agent of the manufacturers listed on this website, but provides parts with equal OEM specification as replacement parts.



Phone:0086-15376875239

E-mail:sales@premiumrigparts.com

www.premiumrigparts.com

Southwest L Shape Fluid End



NATIONAL PREMIUM OILWELL

“At PREMIUM , we care about the products we supply.”



Te:0086-15376875239
E-mail: sales@premiumrigparts.com
Web-site:www.premiumrigparts.com



Premium Rig Parts Mud Pump Parts Line Sheet

Model

- National 10P130
- National 12P160
- National 14P220
- Emsco FB1600
- Emsco FB1300
- Bomco F1600

Model

- Oilwell A1400PT
- Oilwell A1700PT
- Ideco T1600
- FB1600
- FB1300
- Honghua F1600

Model

- Gardner Denver PZ10
- Gardner Denver PZ11
- LEWCO_W-1712
- LEWCO_W-2215
- LEWCO_W-2214
- Weatherford MP-16

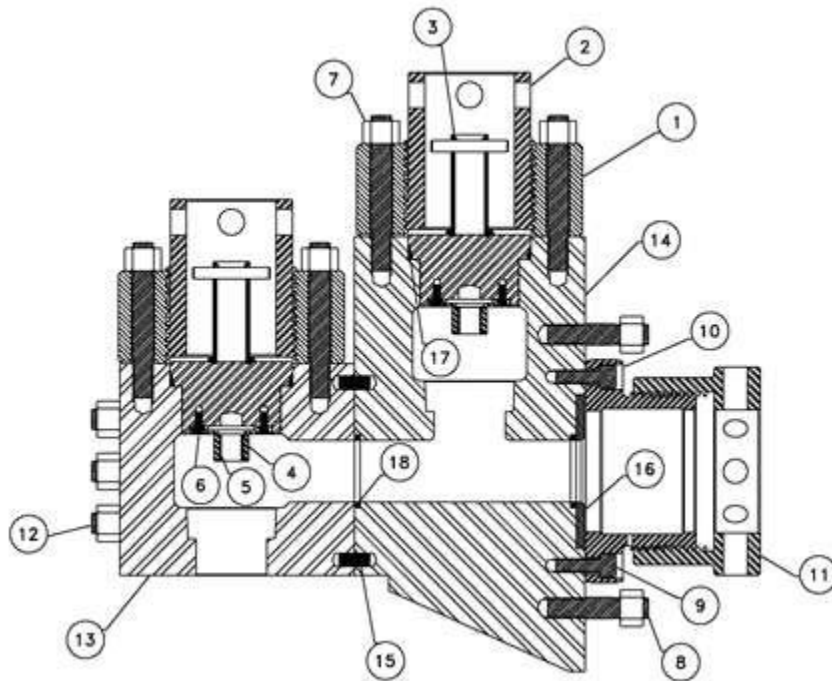


NATIONAL PREMIUM OILWELL

www.premiumrigparts.com



Two Piece "L" Shaped - 10P130



Item	Description	Part No.
	Complete Assembly	8467-A
1	Threaded Flange	4467
2	Screw Gland	4567
3	Plug Assembly w/Guide & Bushing	4667-A
4	Valve Guide	4770-3
5	Valve Guide Bushing	4700-I
6	Valve Guide Screw	4016-98

7	Valve Cover Stud w/Nut	4015-5
8	Power End Stud w/Nut	4015-96
9	Liner Retainer Capscrew	4017-8
10	Liner Retainer Flange	6495
11	Liner Retainer Nut	6595
12	Suction Module Stud w/Nut	4017-1
13	Suction Module (Studded)	8467-2
14	Discharge Module (Studded)	8467-1
15	Dowel Pin	8488-5
16	Wear Plate	8467-3
17	Valve Cover Plug Seal	P-128
18	Module & Wear Plate Seal	2988
19	Piston Rod	1287-32
20	Sub Rod	1287-1
21	Rod Clamp w/Spray System	1287-CW

Disclaimer:

National Premium Oilwell, an oilfield supply company is not an authorized distributor or sales agent of the manufacturers listed on this website, but provides parts with equal OEM specification as replacement parts.



Phone:0086-15376875239

E-mail:sales@premiumrigparts.com

www.premiumrigparts.com

Southwest L Shape Fluid End



NATIONAL PREMIUM OILWELL

“At PREMIUM , we care about the products we supply.”



Te:0086-15376875239
E-mail: sales@premiumrigparts.com
Web-site:www.premiumrigparts.com



Premium Rig Parts Mud Pump Parts Line Sheet

Model

- National 10P130
- National 12P160
- National 14P220
- Emsco FB1600
- Emsco FB1300
- Bomco F1600

Model

- Oilwell A1400PT
- Oilwell A1700PT
- Ideco T1600
- FB1600
- FB1300
- Honghua F1600

Model

- Gardner Denver PZ10
- Gardner Denver PZ11
- LEWCO_W-1712
- LEWCO_W-2215
- LEWCO_W-2214
- Weatherford MP-16

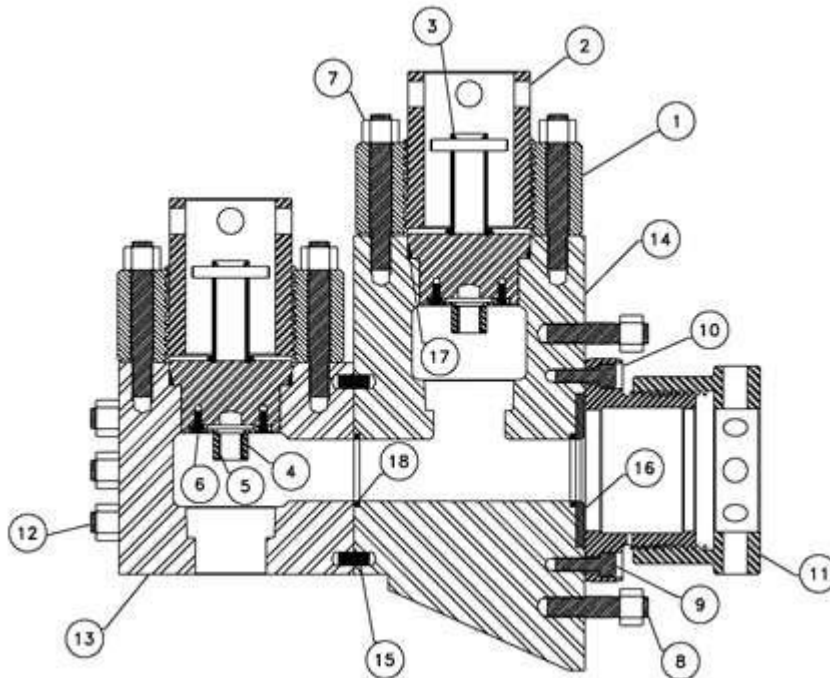


NATIONAL PREMIUM OILWELL

www.premiumrigparts.com



Two Piece "L" Shaped - 12P160 (New Style)



Item	Description	Part No.
	Complete Assembly	8476-4A
1	Threaded Flange	4476
2	Screw Gland	4597
3	Plug Assembly w/Guide & Bushing	4676-6A
4	Valve Guide	4776
5	Valve Guide Bushing	4700-I
6	Valve Guide Screw	4016-98
7	Valve Cover Stud w/Nut	4015-54
8	Power End Stud w/Nut	4015-95

9	Liner Retainer Capscrew	4017-65
10	Liner Retainer Flange	6476
11	Liner Retainer Nut	6576
12	Suction Module Stud w/Nut	4018-17
13	Suction Module (Studded)	8476-6
14	Discharge Module (Studded)	8476-5
15	Dowel Pin	8488-5
16	Wear Plate	8476-3
17	Valve Cover Plug Seal	P-119
18	Module & Wear Plate Seal	2988
19	Piston Rod	1286-32
20	Sub Rod	1286-1
21	Rod Clamp w/Spray System	1286-CW

Disclaimer:

National Premium Oilwell, an oilfield supply company is not an authorized distributor or sales agent of the manufacturers listed on this website, but provides parts with equal OEM specification as replacement parts.



Phone:0086-15376875239

E-mail:sales@premiumrigparts.com

www.premiumrigparts.com

Southwest L Shape Fluid End



NATIONAL PREMIUM OILWELL

“At PREMIUM , we care about the products we supply.”



Te:0086-15376875239
E-mail: sales@premiumrigparts.com
Web-site:www.premiumrigparts.com



Premium Rig Parts Mud Pump Parts Line Sheet

Model

- National 10P130
- National 12P160
- National 14P220
- Emsco FB1600
- Emsco FB1300
- Bomco F1600

Model

- Oilwell A1400PT
- Oilwell A1700PT
- Ideco T1600
- FB1600
- FB1300
- Honghua F1600

Model

- Gardner Denver PZ10
- Gardner Denver PZ11
- LEWCO_W-1712
- LEWCO_W-2215
- LEWCO_W-2214
- Weatherford MP-16

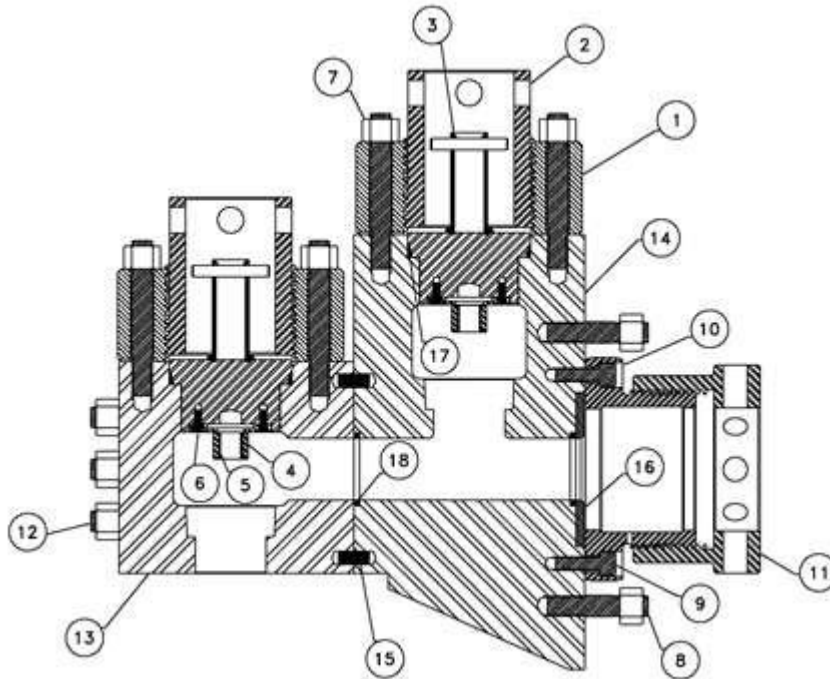


NATIONAL PREMIUM OILWELL

www.premiumrigparts.com



Two Piece "L" Shaped - 12P160 (Old Style)



Item	Description	Part No.
	Complete Assembly	8476-A
1	Threaded Flange	4476
2	Screw Gland	4597
3	Plug Assembly w/Guide & Bushing	4676-2A
4	Valve Guide	4776
5	Valve Guide Bushing	4700-I
6	Valve Guide Screw	4016-98
7	Valve Cover Stud w/Nut	4015-54

8	Power End Stud w/Nut	4015-95
9	Liner Retainer Capscrew	4017-65
10	Liner Retainer Flange	6476
11	Liner Retainer Nut	6576
12	Suction Module Stud w/Nut	4018-17
13	Suction Module (Studded)	8476-2
14	Discharge Module (Studded)	8476-1
15	Dowel Pin	8488-5
16	Wear Plate	8476-3
17	Valve Cover Plug Seal	P-107
18	Module & Wear Plate Seal	2988
19	Piston Rod	1286-32
20	Sub Rod	1286-1
21	Rod Clamp w/Spray System	1286-CW

Disclaimer:

National Premium Oilwell, an oilfield supply company is not an authorized distributor or sales agent of the manufacturers listed on this website, but provides parts with equal OEM specification as replacement parts.



Phone:0086-15376875239

E-mail:sales@premiumrigparts.com

www.premiumrigparts.com

Southwest L Shape Fluid End



NATIONAL PREMIUM OILWELL

“At PREMIUM , we care about the products we supply.”



Te:0086-15376875239
E-mail: sales@premiumrigparts.com
Web-site:www.premiumrigparts.com



Premium Rig Parts Mud Pump Parts Line Sheet

Model

- National 10P130
- National 12P160
- National 14P220
- Emsco FB1600
- Emsco FB1300
- Bomco F1600

Model

- Oilwell A1400PT
- Oilwell A1700PT
- Ideco T1600
- FB1600
- FB1300
- Honghua F1600

Model

- Gardner Denver PZ10
- Gardner Denver PZ11
- LEWCO_W-1712
- LEWCO_W-2215
- LEWCO_W-2214
- Weatherford MP-16

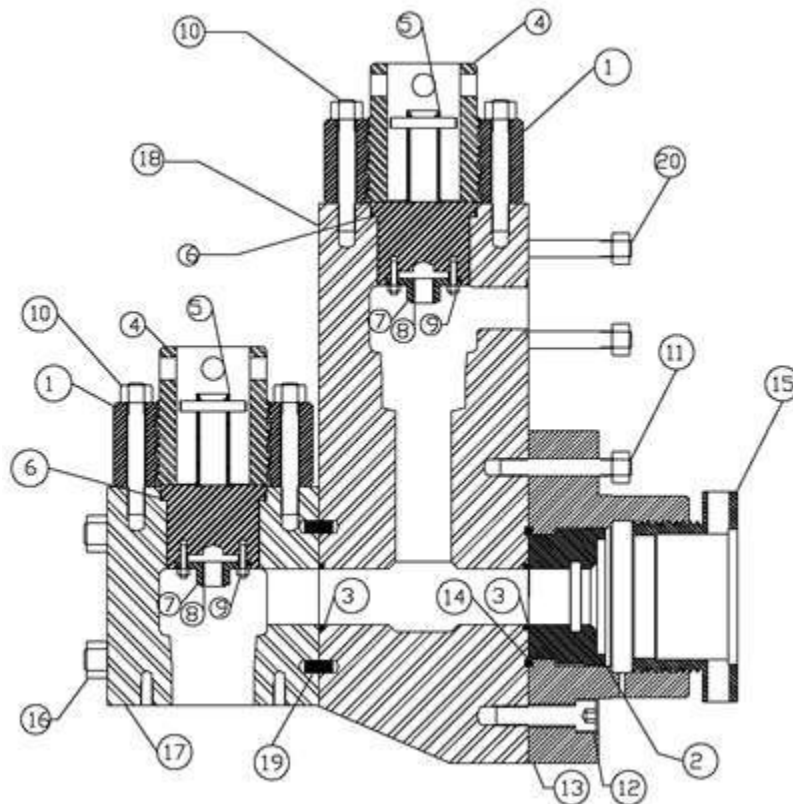


NATIONAL PREMIUM OILWELL

www.premiumrigparts.com



Two Piece "L" Shaped - Emsco FA/FB-1300 & 1600



Item	Description	Part No.
	Complete Assembly	8490-2A
1	Threaded Flange	4475
2	Liner Wear Plate	8490-3
3	Module and Wear Plate Gasket	2988
4	Screw Gland	4575
5	Plug Assembly w/Guide & Bushing	4675-2A
6	Plug Seal	P-129
7	Valve Guide	4775-2

8	Valve Guide Bushing	4700-I
9	Valve Guide Stud w/Nut	4016-99
10	Valve Cover Stud w/Nut	4015-2
11	Power End Stud w/Nut	4016-9
12	Liner Retainer Capscrew	4017-36
13	Liner Retainer Flange	6490-3
14	Liner Retainer Pilot Ring	8422-3
15	Liner Retainer Nut	6590-1
16	Suction Module Stud w/Nut	4016-97
17	Suction Module Studded	8490-2
18	Discharge Module Studded	8490-1
19	Dowel Pin	8488-5
20	Discharge Manifold Stud w/Nut	4017-46

Disclaimer:

National Premium Oilwell, an oilfield supply company is not an authorized distributor or sales agent of the manufacturers listed on this website, but provides parts with equal OEM specification as replacement parts.



Phone:0086-15376875239

E-mail:sales@premiumrigparts.com

www.premiumrigparts.com

Southwest L Shape Fluid End



NATIONAL PREMIUM OILWELL

“At PREMIUM , we care about the products we supply.”



Te:0086-15376875239
E-mail: sales@premiumrigparts.com
Web-site:www.premiumrigparts.com



Premium Rig Parts Mud Pump Parts Line Sheet

Model

- National 10P130
- National 12P160
- National 14P220
- Emsco FB1600
- Emsco FB1300
- Bomco F1600

Model

- Oilwell A1400PT
- Oilwell A1700PT
- Ideco T1600
- FB1600
- FB1300
- Honghua F1600

Model

- Gardner Denver PZ10
- Gardner Denver PZ11
- LEWCO_W-1712
- LEWCO_W-2215
- LEWCO_W-2214
- Weatherford MP-16

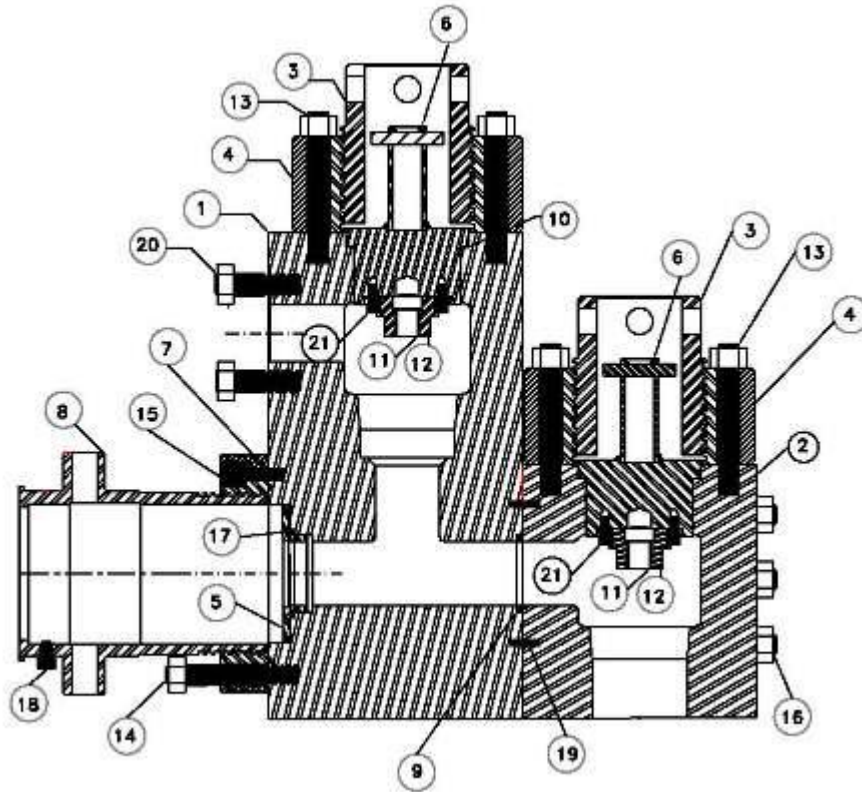


NATIONAL PREMIUM OILWELL

www.premiumrigparts.com



Two Piece "L" Shaped - Oilwell A850-PT/A1100-PT



Item	Description	Part No.
	Complete Assembly	8488-1
1	Discharge Module	8488-1
2	Suction Module	8488-2
3	Screw Gland	4575
4	Threaded Flange	4475
5	Wear Plate	8488-4
6	Plug Assembly w/Guide & Bushing	4675-1A
7	Liner Retainer Flange	6488-1
8	Liner Retainer Nut	6588-1

9	Module Gasket	2988
10	Valve Cover Plug Seal	P-129
11	Valve Guide Bushing	4700-I
12	Valve Guide	4775
13	Valve Cover Stud w/Nut	4015-2
14	Power End Stud w/Nut	4016-96
15	Liner Retainer Capscrew	4017-4
16	Suction Module Stud w/Nut	4016-97
17	Wear Plate Gasket	2974-I
18	Liner Retainer Screw Set	8488-7
19	Dowel Pin	8488-5
20	Discharge Manifold Stud	4016-3
21	Valve Guide Screw	4018-88
22	Piston Rod	1290-25
23	Sub Rod	1290-1
24	Piston Rod Connecting Stud	1290-2
25	Rod Clamp w/Spray System	1290-CW

Disclaimer:

National Premium Oilwell, an oilfield supply company is not an authorized distributor or sales agent of the manufacturers listed on this website, but provides parts with equal OEM specification as replacement parts.



Phone:0086-15376875239

E-mail:sales@premiumrigparts.com

www.premiumrigparts.com

Southwest L Shape Fluid End



NATIONAL PREMIUM OILWELL

“At PREMIUM , we care about the products we supply.”



Te:0086-15376875239
E-mail: sales@premiumrigparts.com
Web-site:www.premiumrigparts.com



Premium Rig Parts Mud Pump Parts Line Sheet

Model

- National 10P130
- National 12P160
- National 14P220
- Emsco FB1600
- Emsco FB1300
- Bomco F1600

Model

- Oilwell A1400PT
- Oilwell A1700PT
- Ideco T1600
- FB1600
- FB1300
- Honghua F1600

Model

- Gardner Denver PZ10
- Gardner Denver PZ11
- LEWCO_W-1712
- LEWCO_W-2215
- LEWCO_W-2214
- Weatherford MP-16

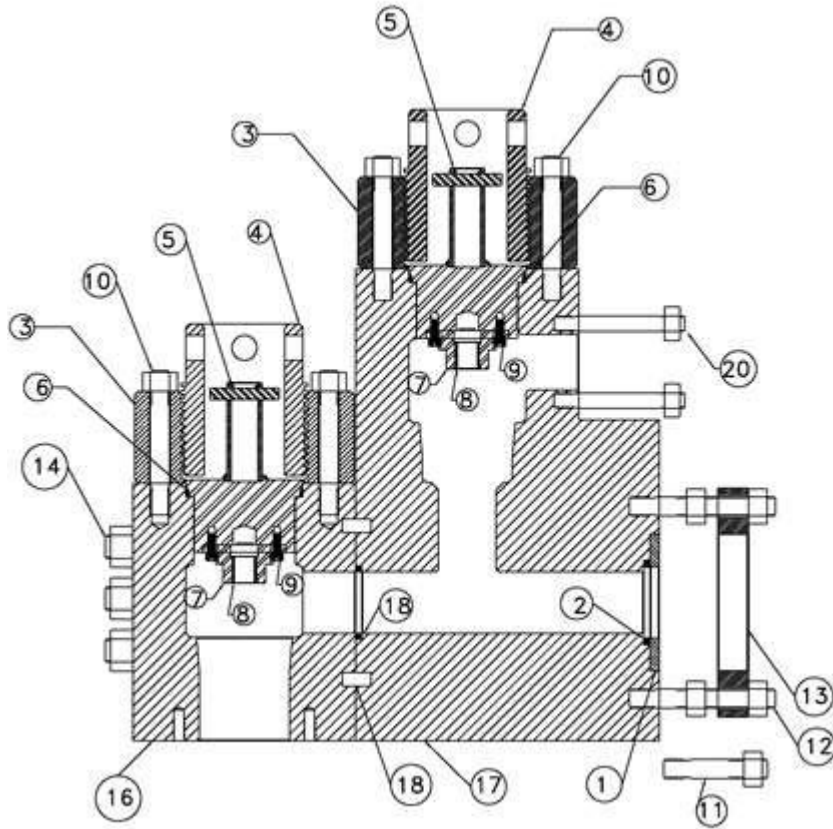


NATIONAL PREMIUM OILWELL

www.premiumrigparts.com



Two Piece "L" Shaped - Gardner Denver PZ10/11



Item	Description	Part No.
	Complete Assembly	8477-A
1	Wear Plate	8477-3
2	Wear Plate Gasket	2930-08
3	Threaded Flange	4475
4	Screw Gland	4575
5	Plug Assembly w/Guide & Bushing	4675-1A
6	Valve Cover Plug Seal	P-129
7	Valve Guide	4775R
8	Valve Guide Bushing	4700-I

9	Valve Guide Screw	4018-99
10	Valve Cover Stud w/Nut	4015-2
11	Power End Stud w/Nut	4017-35
12	Liner Retainer Stud	4018-34
13	Liner Retainer Flange	6477
14	Suction Module Stud w/Nut	4016-97
15	Suction Manifold Capscrew (not shown)	4017-77
16	Suction Module (Studded)	8477-2
17	Discharge Module (Studded)	8477-1
18	Dowel Pin	8488-5
19	Module Gasket	2988
20	Discharge Manifold Stud	4017-5
21	Piston rod	6278-25
22	Sub Rod	6279-1
23	Piston Rod Connecting Stud	1290-2
24	Rod Clamp w/Spray System	1277-CW

Disclaimer:

National Premium Oilwell, an oilfield supply company is not an authorized distributor or sales agent of the manufacturers listed on this website, but provides parts with equal OEM specification as replacement parts.



Phone:0086-15376875239

E-mail:sales@premiumrigparts.com

www.premiumrigparts.com

Southwest L Shape Fluid End



NATIONAL PREMIUM OILWELL

“At PREMIUM , we care about the products we supply.”



Te:0086-15376875239
E-mail: sales@premiumrigparts.com
Web-site:www.premiumrigparts.com



Premium Rig Parts Mud Pump Parts Line Sheet

Model

- National 10P130
- National 12P160
- National 14P220
- Emsco FB1600
- Emsco FB1300
- Bomco F1600

Model

- Oilwell A1400PT
- Oilwell A1700PT
- Ideco T1600
- FB1600
- FB1300
- Honghua F1600

Model

- Gardner Denver PZ10
- Gardner Denver PZ11
- LEWCO_W-1712
- LEWCO_W-2215
- LEWCO_W-2214
- Weatherford MP-16

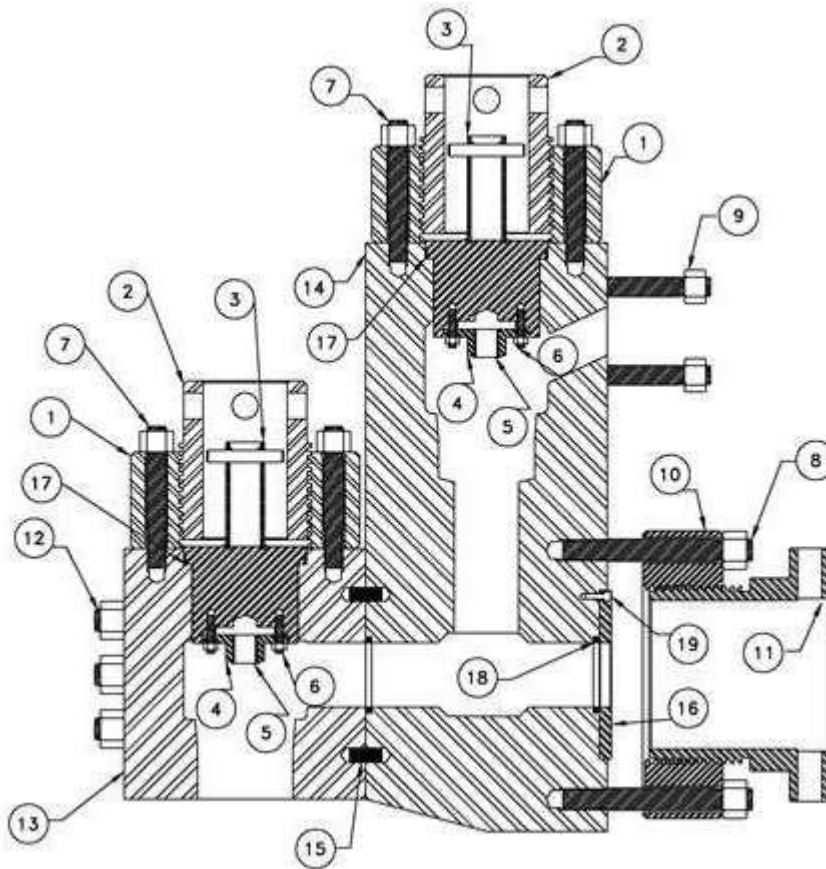


NATIONAL PREMIUM OILWELL

www.premiumrigparts.com



Two Piece "L" Shaped - Ideco T-1300/1600



Item	Description	Part No.
	Complete Assembly	8407-7A
1	Threaded Flange	4475
2	Screw Gland	4575
3	Plug Assembly w/Guide & Bushing	4675-2A
4	Valve Guide	4775-2
5	Valve Guide Bushing	4700-I
6	Valve Guide Screw	4016-99

7	Valve Cover Stud w/Nut	4015-2
8	Power End Stud w/Nut	4018-68
9	Discharge Manifold Stud w/Nut	4017-50
10	Liner Retainer Flange	6407
11	Liner Retainer Nut	6507
12	Suction Module Stud	4016-97
13	Suction Module (Studded)	8407-11
14	Discharge Module (Studded)	8407-7
15	Dowel Pin	8488-5
16	Wear Plate	8407-10
17	Valve Cover Plug Seal	P-129
18	Module & Wear Plate Seal	2988
19	Wear Plate Capscrew	4018-98

Disclaimer:

National Premium Oilwell, an oilfield supply company is not an authorized distributor or sales agent of the manufacturers listed on this website, but provides parts with equal OEM specification as replacement parts.



Phone:0086-15376875239

E-mail:sales@premiumrigparts.com

www.premiumrigparts.com